

# OptiFeed Octabin (FPS15)

## Powder transport from Octabin original containers

The OptiFeed Octabin (FPS15) fresh powder system is designed for conveying the powder from large Octabin containers.

The OptiFeed 4.0 powder pump transports the powder from the original container.

### Equipment technology includes:

- Tilting angle control for complete emptying
- Container vibration
- Suction unit with integrated fluidization
- OptiFeed 4.0

### Key advantages of the OptiFeed 4.0 at a glance:

- Conveying of large quantities of powder across long distances and different height levels
- Gentle conveying of powder with minimal air flow
- Cleaning program in suction and conveying direction
- Wear part monitoring
- Suitable for organic and metallic powder
- Option to connect to superior control systems
- Easy to put into operation

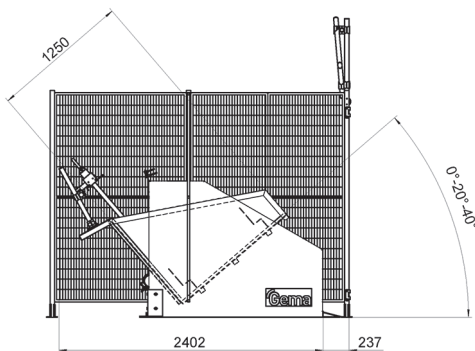
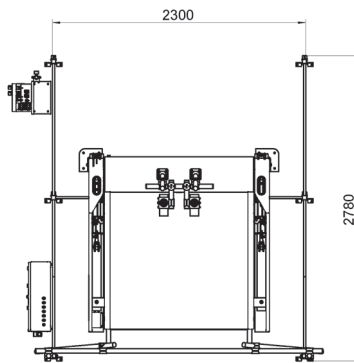
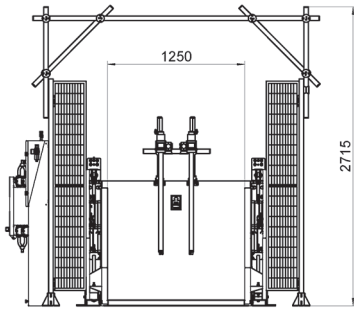
### Option:

To ensure that the OptiFeed Octabin FPS15 is segregated from the operators during normal operation, an option is available for the FPS15 to be shielded by a protective safety barrier. The safety barrier has doors that are released by the control unit to allow authorized technical personnel access to the FPS15.



## Technical data\*

### OptiFeed Octabin (FPS15)



- A\* - Basic position 0 degree
- B\* - Position 20 degree
- C\* - Position 40 degree

Max. load:	500 kg
Internal width:	1250 mm
External width:	2300 mm
External depth:	2800 mm
Container base area:	1200 mm x 1200 mm x 1250 mm (Octabin)
Powder output:	< 8 m = 6 kg/min 8-16 m = 4.5 kg/min 16-25 m = 4 kg/min
Compressed air input pressure:	6-8 bar
Compressed air consumption:	12 Nm <sup>3</sup> /h for each OptiFeed 4.0 1.0 Nm <sup>3</sup> /h for the tilting movement 0.5 Nm <sup>3</sup> /h for the suction unit fluidization
Compressed air quality:	max. water vapor content 1.3 g/m <sup>3</sup> max. oil content 0.1 mg/m <sup>3</sup>
Nominal Input voltage:	3 x 400 VAC + N + PE
Frequency:	50 / 60 Hz
Input power value (Connected load):	300 VA
Applicable powder:	Organic, Metallic
Safety note:	Due to accident risk and depending on the placement of the fresh powder system, the safety barriers have to be placed in accordance to the local regulations

\* The indicated conveying performance are reference values. Possible deviations are dependent on the powder, powder type, conditioning and powder transportation distance.

## Configurations

The OptiFeed Octabin (FPS15) can be equipped with one or two OptiFeed 4.0 pumps. The additional OptiFeed 4.0 will be placed on a stand next to the unit.