

Application Success Stories

The first coating line equipped with OptiCenter® All-in-One in China



Clean Environment

Fast Color Change

High Transfer Efficiency

Application Success Stories

Installation Key Data

Parts: Wheelchair frame

Object sizes: H 1000 mm
W 50 mm

Conveyor Speed: 4m/min

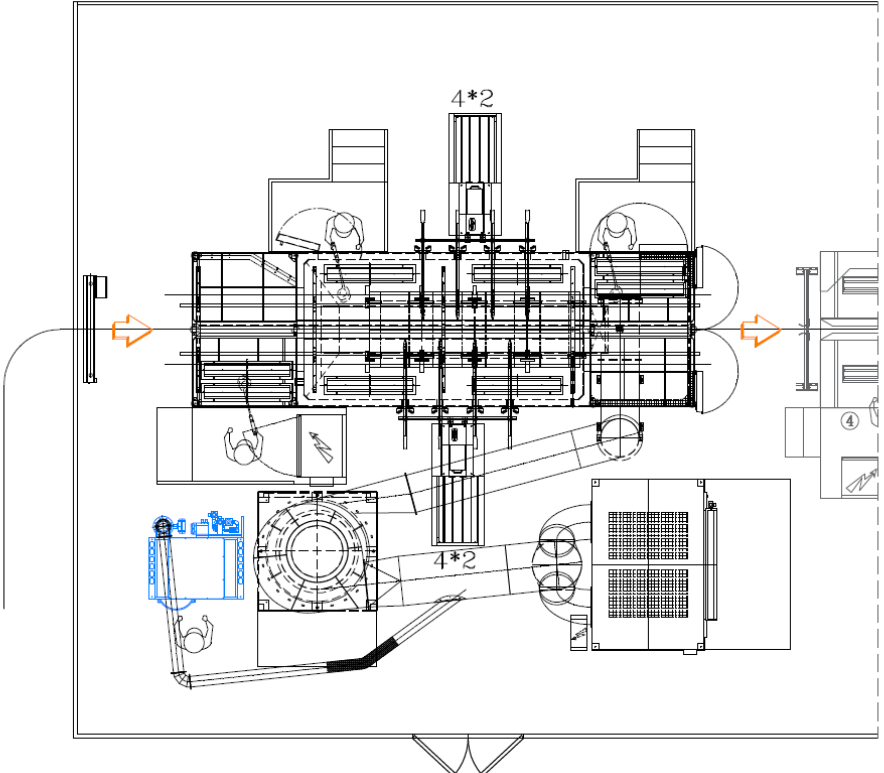
Scope of delivery :

- 16 x OptiGun® GA03 Automatic guns
- 2 x OptiFlex Pro Manual coating equipment
- 1 x MagicPlus Booth
- 1 x MagicControl 4.0 (CM40)
- 2 x ZA07/XT10 Reciprocators
- 1 x OptiCenter® All-in-One (OC06) Powder management



Application Success Stories

Layout



Application Success Stories



Company Profile

Intco Medical is a high-tech manufacturing company dedicated to R&D, production and marketing of medical device consumables. It currently has 12 subsidiary companies worldwide, and its products have been exported to 100+ countries and regions in America, Europe, Asia, Africa and Oceania. The rehabilitation nursing products produced by Jiangsu Intco mainly include wheelchairs, walkers, walking sticks and medical bedside tables, which are durable medical equipment. They produce mobility tool for the physically handicapped and people with reduced mobility. The products are widely used in daily care in

hospitals and homes.

Company Expectation

As a well-known medical device manufacturer, Intco Medical is committed to pursuing the perfect coating quality and enhancing the brand image. With the development of the company and the increase in orders, the original manual spraying has been unable to increase in production. Intco hopes to meet the new production goals with the intelligent solutions created by Gema.

Key to Gema Success

- The powerful 100 kV cascade and the advanced electrostatic controls ensure the highest transfer efficiency even with

challenging powders.

- OptiCenter All-in-One is the ingenuity of the Gema Swiss R&D team, the advanced compact design saves space and the fast color change takes 15 minutes. The production capacity has more than doubled from the original.
- The OptiSelect Pro gun is characterised by a very robust and durable design. The ergonomic gun lies balanced in the hand, long time holding a gun in the hand is no more an unpleasant experience.