

# Application Success Stories



**Ukai Co., Ltd.**

*Parts related to Machine Tools,  
Automatic Storage conveying system*



**Quick color  
change &  
space saving**

**Powder recovery  
and powder  
savings**

**Better application  
performance &  
reduced touch-up**

# Application Success Stories

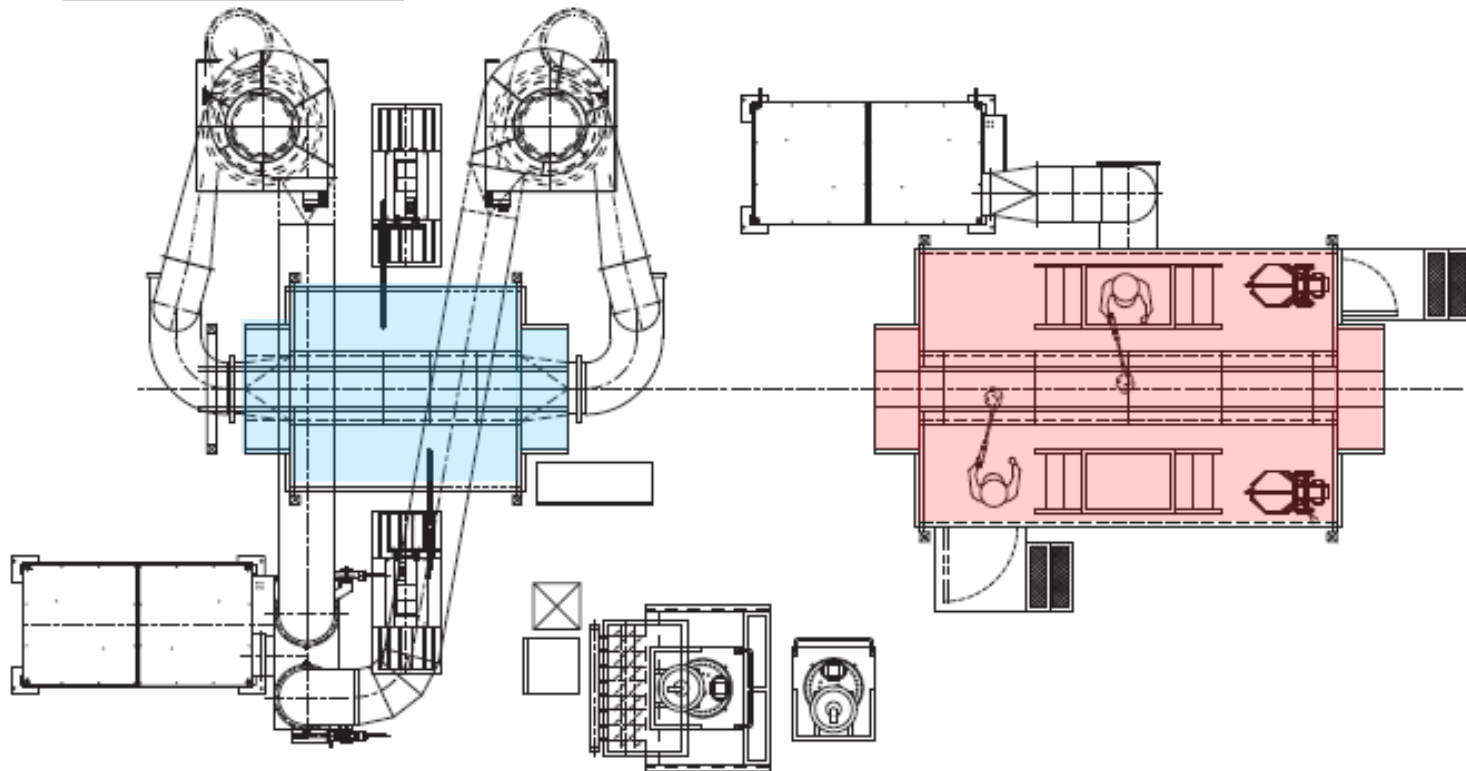
## Layout

Color change booth  
for two colors

Manual booth

Cyclone for White

Cyclone for Black



# Application Success Stories

## Installation Key Data

**Parts:** The part of Machine tool

**Parts Size:** 3500(L)x100(W)x1800(H)

**Conveyer Speed:** 2.0m/min

### **Scope of Delivery:**

- 1x 2 color change booth BA03-JPN
- 10x OptiGun GA03
- 1x OptiFlex A2-10P
- 2x ZA06-18+XT11-10
- 1x Powder Center
- 2x PH150+PS2
- 2x Cyclone
- 1x 16'000m<sup>3</sup>/h Filter
- 1x ICS with 10.3' touch panel
  
- 1x Manual Booth
- 2x OptiFlex2 B
- 1x 16'000m<sup>3</sup>/h Filter



# Application Success Stories



## Company Profile:

Ukai was founded in 1947 and based in the Kakumuhara, Gifu prefecture. They are manufacturing in four different factories products and components for machine tools and automatic storage machines for leading companies in Japan. With an advanced technical capability and start-to-finish production system, Ukai has an excellent reputation with customers in Japan.

## Customer Demands:

A new automatic coating line was planned to replace the old and aging coating system and to increase the production capacity. The new application system should fulfill the following:

- Eco-friendly powder coating
- Quick color change and powder recovery for two colors
- Space-saving design
- Improved productivity
- Staff reduction

## Key to Gema Success:

Due to small space available, the special space-saving design of 1x booth, 2x cyclones and 1x filter for 2x color change system was chosen. In addition, Gema's high-quality application offered the following advantages:

- Improves productivity
- Product cost reduction based on recovery
- Improve coating quality
- Improved workability due to excellent re-coating performance
- Reduction of manpower