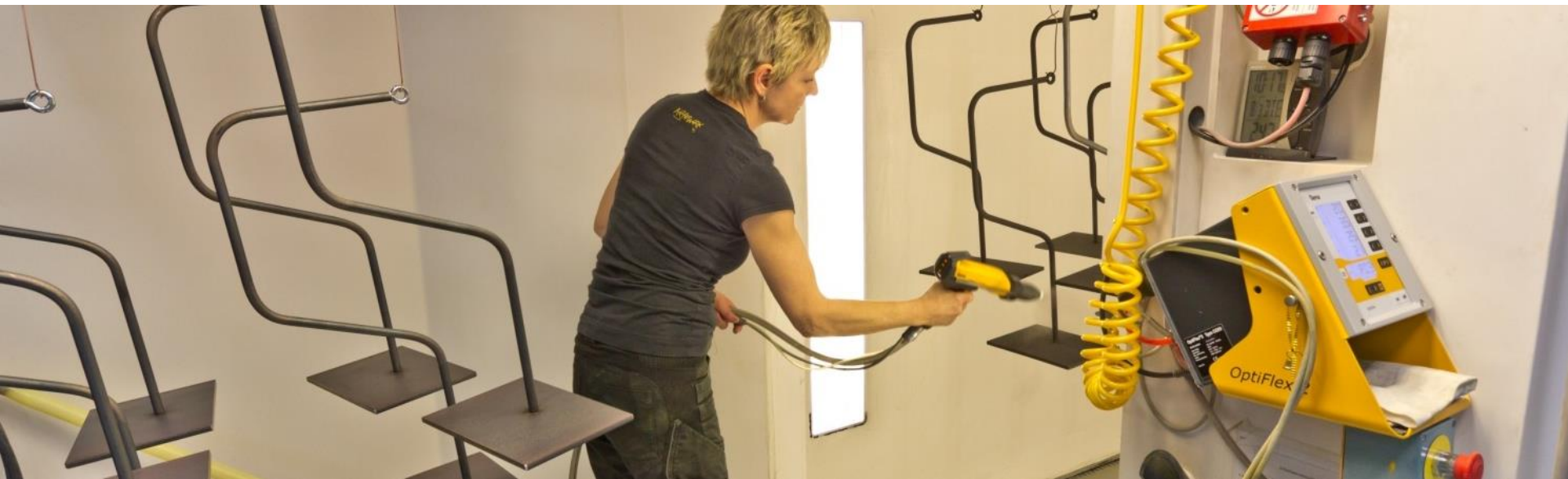
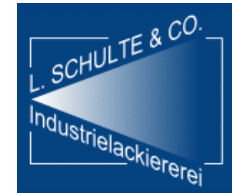


# Application Success Stories

## L. Schulte & Co. GmbH, Berlin Job Coater



Economy

Surface quality

Flexibility

# Application Success Stories



# Application Success Stories

## Installation Key Data

### Parts:

Job coating, manual coating only

### Parts size:

H            1'500 mm  
W            800 mm  
L            no limitation

### Conveyor speed:

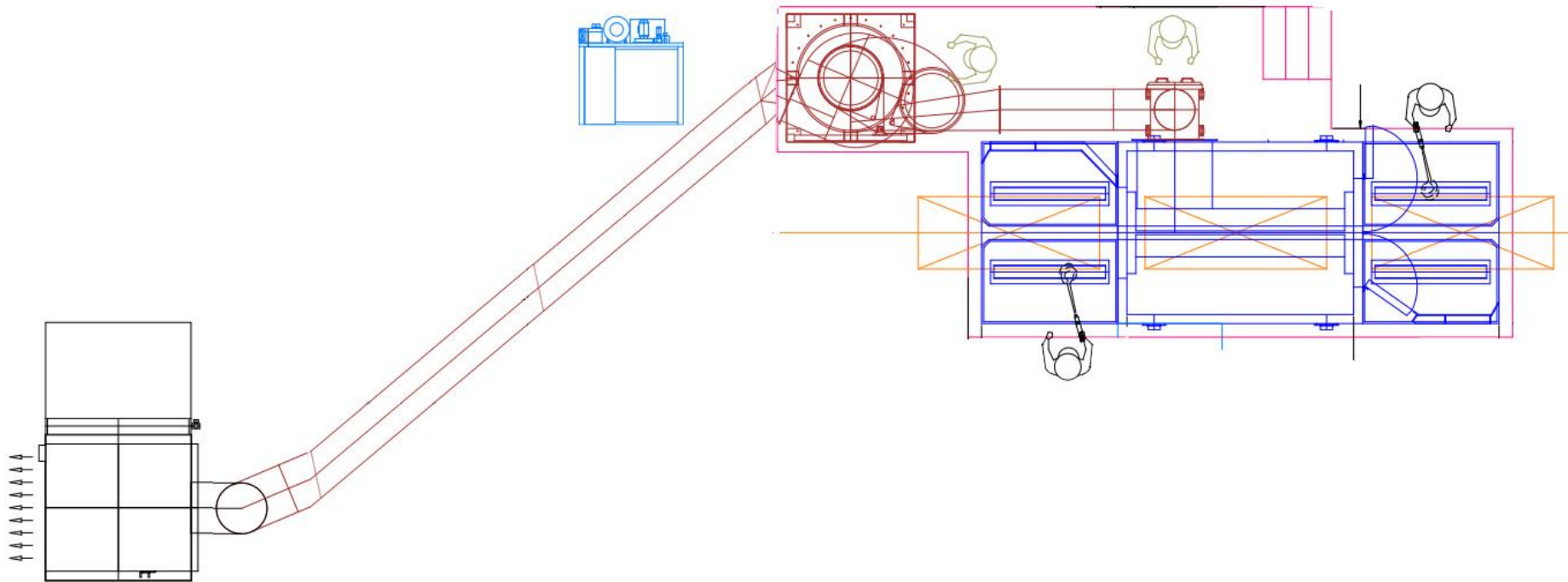
V            manual transport system

### Scope of Delivery:

2 x OptiFlex®2 W  
1 x Control system CM-22  
1 x MagicCompact BA04 for manual coating  
1 x OptiCenter OC02 with US05



# Application Success Stories



# Application Success Stories



Berlin-based L. Schulte & Co. GmbH was founded in 1912 as a paint shop and is one of the city's oldest coating providers. The family-owned business operates in the third generation with Andreas and Burkhardt Wunsch at the helm, and employs about 25 employees in Berlin-Buckow. From pre-treatment across coating to final printing, a comprehensive range of surface treatment solutions is offered.

A special feature of L. Schulte is the company's exclusive use of manual powder coating processes. This enables them to handle flexibly all job sizes and meet any specific

customer needs. The process nevertheless focuses on maximum efficiency.

In 2014, the brothers started thinking about how the highest possible degree of recovery can be achieved with manually coating. The solution was Gema's quick color change system MagicCompact BA04. The system is originally designed for automatic coating, but was placed on the ground floor at L. Schulte to give coaters optimum access to the parts. The powder management system OptiCenter OC02 with ultrasonic sieve US05 and the cyclone are placed within easy reach

so that color changes can be carried out quickly and cleanly. The exhaust filter was housed in a separate room, so that employees can work without noise nuisance.

Thanks to the quick color change system MagicCompact BA04 configured for manual coating, L. Schulte & Co. GmbH achieved a very high recovery rate, a higher coating quality and enhanced flexibility to handle all customer orders.