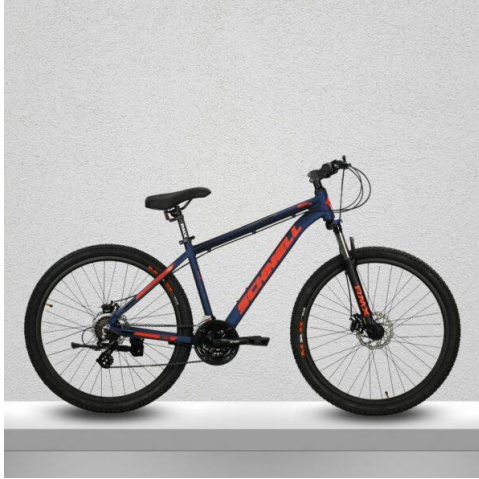
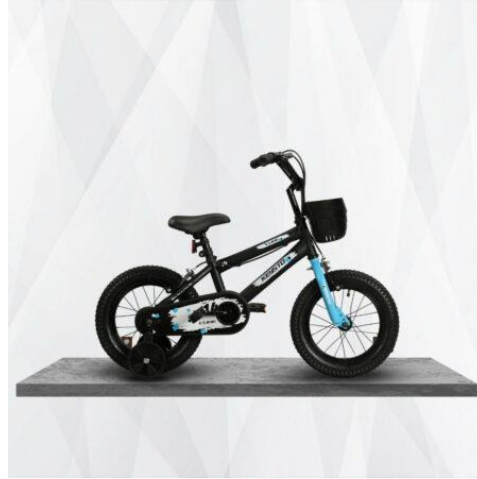


# Application Success Stories

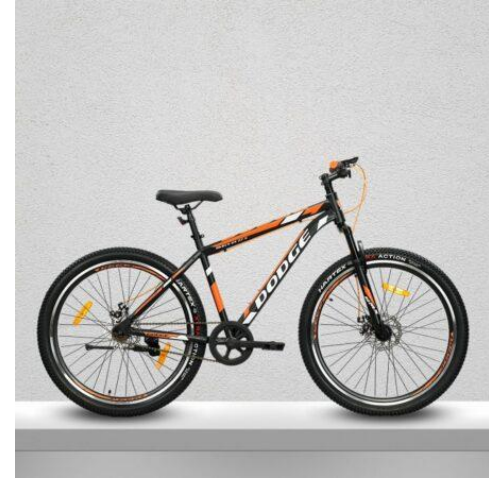
## Trinity Cycles India



Faster Color Change



High Quality Coating



Consistent Coating Results

# Application Success Stories

## Installation Key Data

<b>Objects:</b>	Bicycle Parts
<b>Parts Size:</b>	1200mm (H) x 500mm (W) x 1500mm (L)
<b>Conveyor Speed:</b>	2.25 m/min

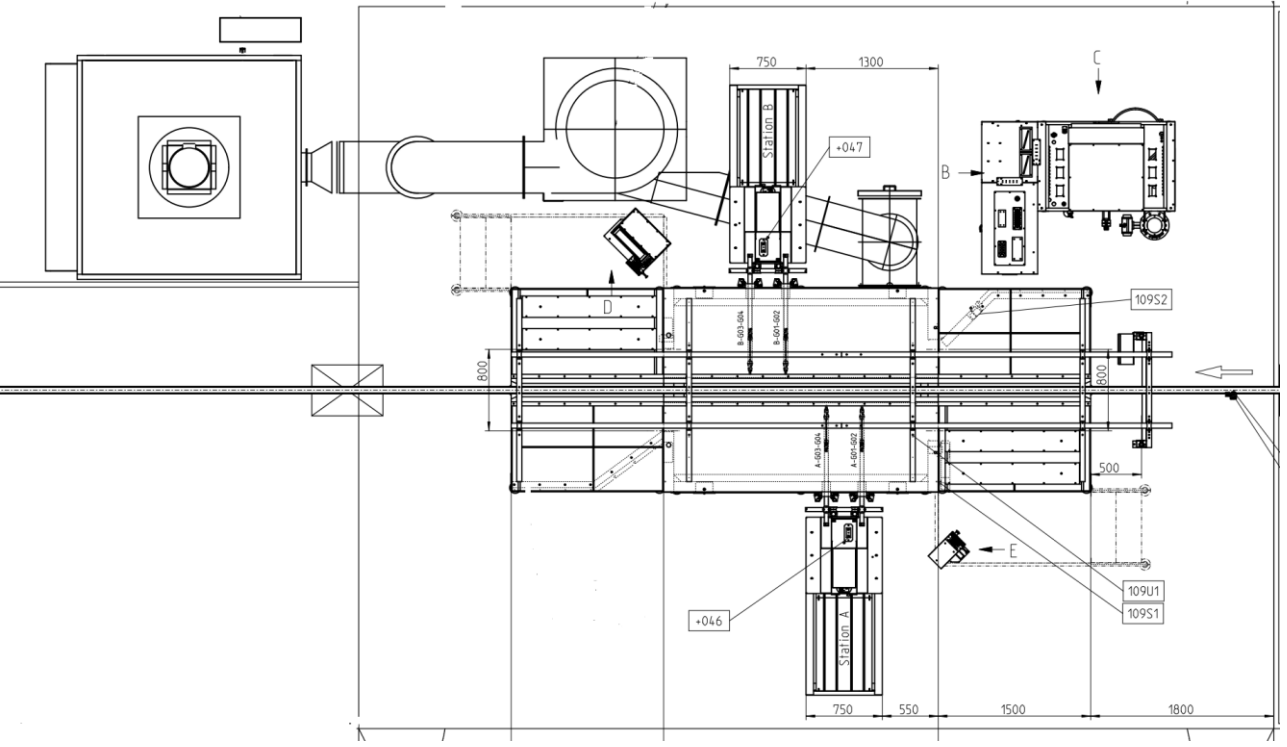
### **Scope of delivery:**

- 1 x MagicCompact® EquiFlow® BA04 Booth
- 8 x OptiGun® GA03 Automatic Guns
- 2 x OptiSelect® Pro GM04 Manual Guns
- 1 x MagicControl 4.0 system control
- 1 x OptiCenter® OC09 Powder Management System
- 2 x Reciprocators ZA07-13/XT10 with Horizontal Axis
- 1 x MonoCyclone & After Filter



# Application Success Stories

## Layout



# Application Success Stories



## Company Profile

Trinity Cycles India Pvt Ltd is India's top bicycle & fitness mobility manufacturer and sells bicycles under brand names such as Trinx & Dodge, Schnell, Keysto etc. and exports to various countries. As one of the largest suppliers and with a strong network, the company is growing at a rapid pace in bicycle industry.



## Customer Expectation

The company was looking for a robust system with easy operation that would allow quick color change with perfect surface quality. Since the production volume is large, a system with higher recovery efficiency was sought. In addition the company expected long lasting equipment with low maintenance.



## Key to Gema Success

The MagicCompact BA04 color change booth with GA03 automatic guns facilitates uniform coating thicknesses and fast color changes. With perfect coating results and consistent quality, customer is able to produce higher quantities to meet demand. Customer is very happy with the results.