

Application Success Stories

**The perfect combination of precision air conditioning
and intelligent coating**



Robot Coating

YMK^S

High Fluidization



Transparent Coating
Environment

Application Success Stories

Installation Key Data

Parts: Air conditioning cabinet

Object sizes:

Height 2200 mm

Width 600 mm

Conveyor Speed: 3m/min

Scope of delivery:

13 x OptiGun® GA03

2 x OptiFlex®2 W Manual coating equipment

1 x MagicCompact® BA02

1 x MagicControl CM30

2 x ZA07/XT10 Reciprocators

1 x OptiCenter® OC02

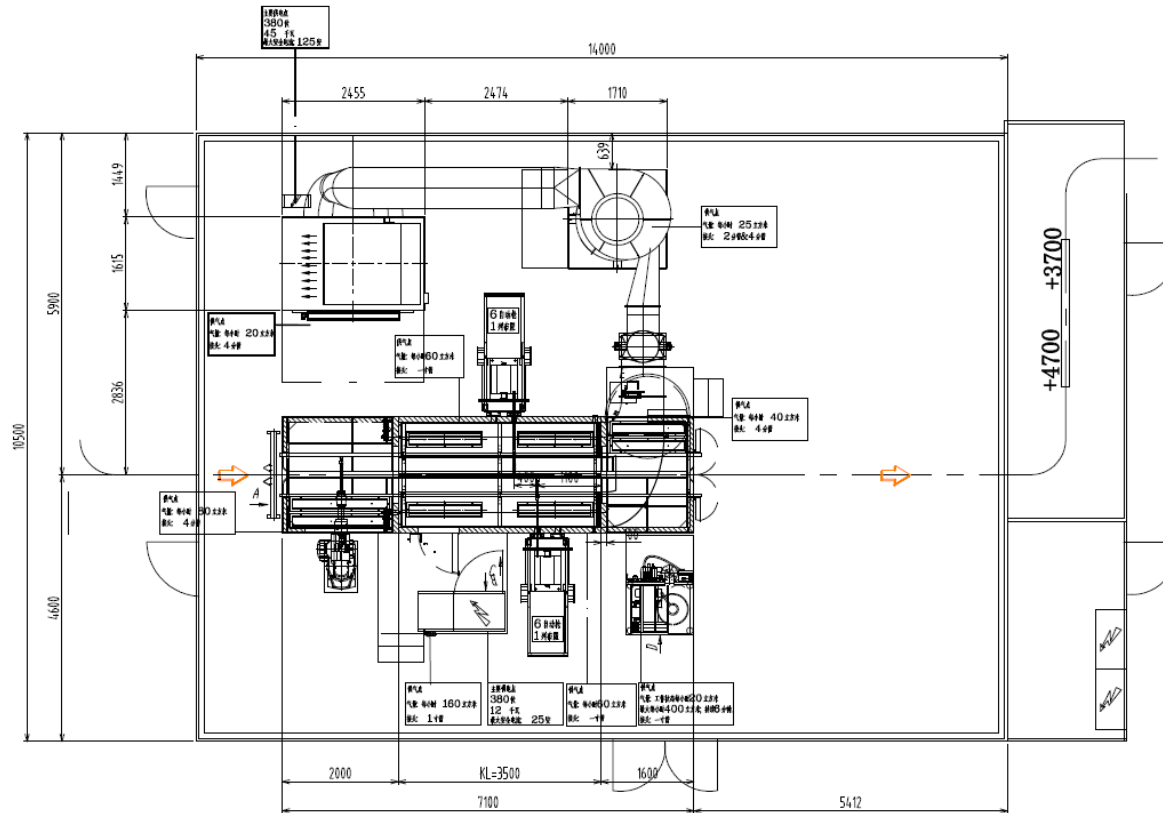
1 x MH24 Yaskawa Robot

1 x STS Flame protection system



Application Success Stories

Layout:



Application Success Stories



Company Profile

Yimikang Technology Group Co., Ltd. was established in 2002 as a high-tech enterprise. It was listed on the Shenzhen Stock Exchange in 2011. The company is committed to three major business sectors, informatization, medical treatment and environmental protection. Among them, precision air conditioning is an important part of data center solutions.

Company Expectation

Data informatization is going deep into the present era. YMK precision air conditioner is

specially equipped for powerful data center to ensure high standard precision environment. In order to control the perfect quality, YMK canceled the job coating and invited the Gema team to create a fully automatic coating line, hoping to reduce the coating cost, improve the coating quality and show the enterprise's brand spirit of excellence.

Key to Gema Success

- In the special period of COVID-19, Gema mastered various challenges and completed the installation one month

earlier as originally planned, so that YMK can feel the benefits of intelligent spraying technologies in advance.

- OptiCenter OC02, the perfect fluidization of the powder hopper and the short suction tubes ensure optimal coating results with any powder.
- Robots are easily integrated in a Gema system, reduce manual coating labor, increase coating quality and reduce coating costs.