

Application Success Stories

West India Power Equipments– Jagdishpur, UP



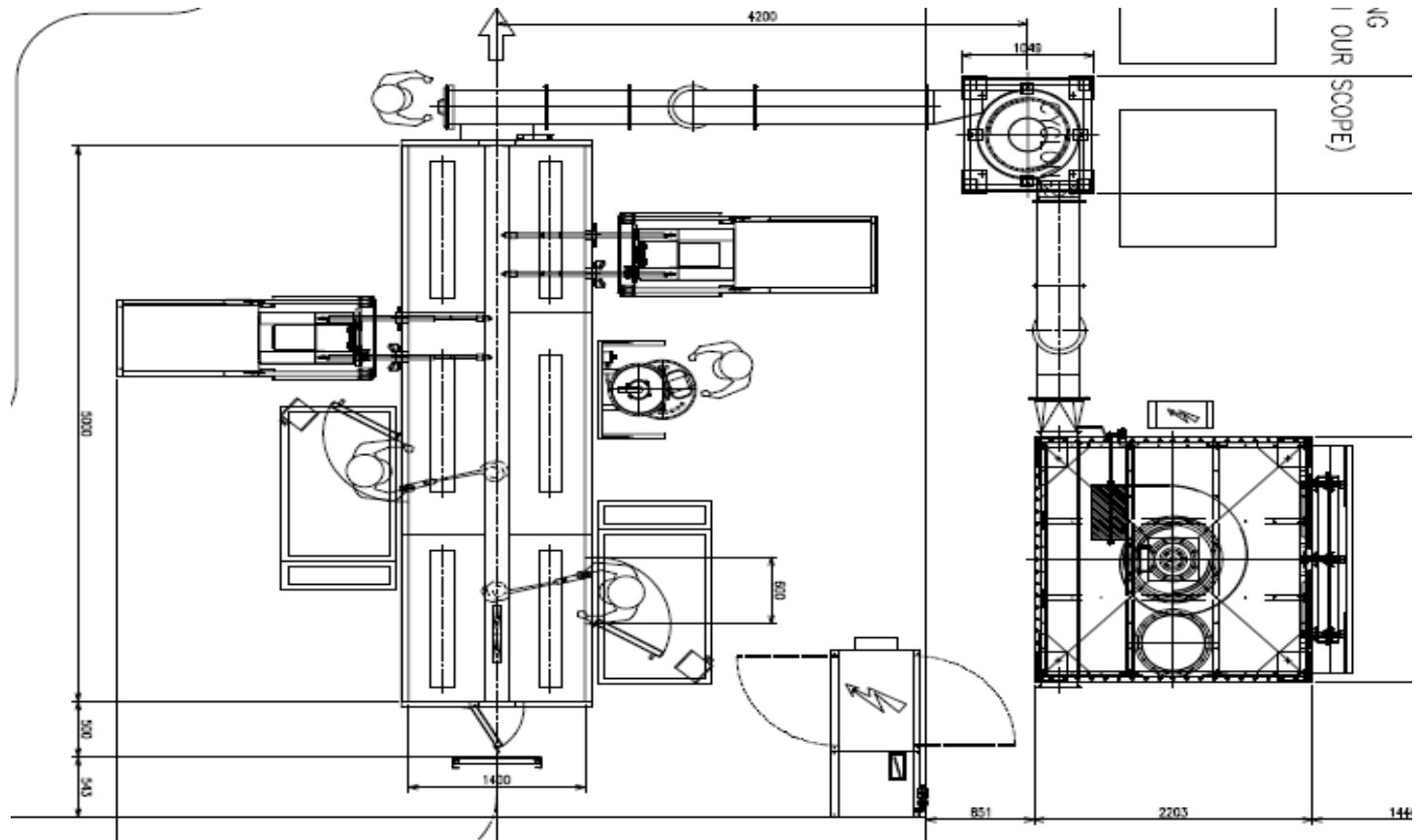
Continuous
Production

Enhanced Coating

Color Change

Application Success Stories

Layout



Application Success Stories

Installation Key Data

Object: CAR WIPER

Max. Height = 950 mm

Max. Width = 100 mm

Conveyor Speed:- 1.5 m/min



Application Success Stories

Installation Key Data

Scope of Supply

(MADE IN INDIA)

1x Magic Plus design local Steel Booth

1x Mono Cyclone 8,000 m³/hr. Local mfg.

1x After Filter 8,000 m³/hr. Local mfg.

(From Gema St. Gallen)

1x Control Cabinet OptiFlex A2 with coating guns & Axis controls

4x Automatic Guns GA03

2x Manual Guns GM03

2x Reciprocators ZA07-14/XT10

1x PLC CM 22

1x 100 kg Powder Hopper with PS2 Sieve



Application Success Stories



Application Success Stories



- WIPE India have 75% market share in India
- Its their first Automatic line
- In future 2-3 more lines will come
- Very minimum touch up required
- High Quality & Productivity
- Good reference in this region

