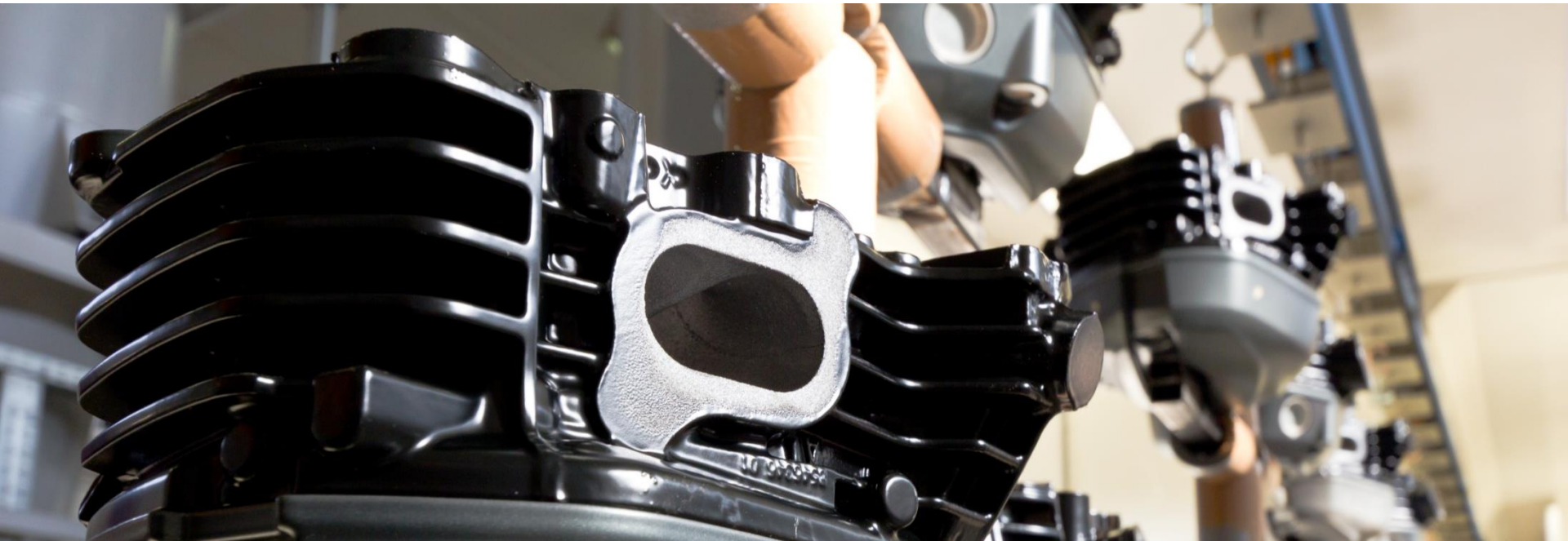


Application Success Stories

Pulverlackierung Sarnoch GmbH, Berlin
Job Coating for automotive industry

 **Sarnoch**
Pulverlackierung Sarnoch GmbH



Automatisation

Cost reduction

Flexibility

Application Success Stories



Application Success Stories

Installation Key Data

Parts:

Job Coating, specialized in engine blocks

Parts size:

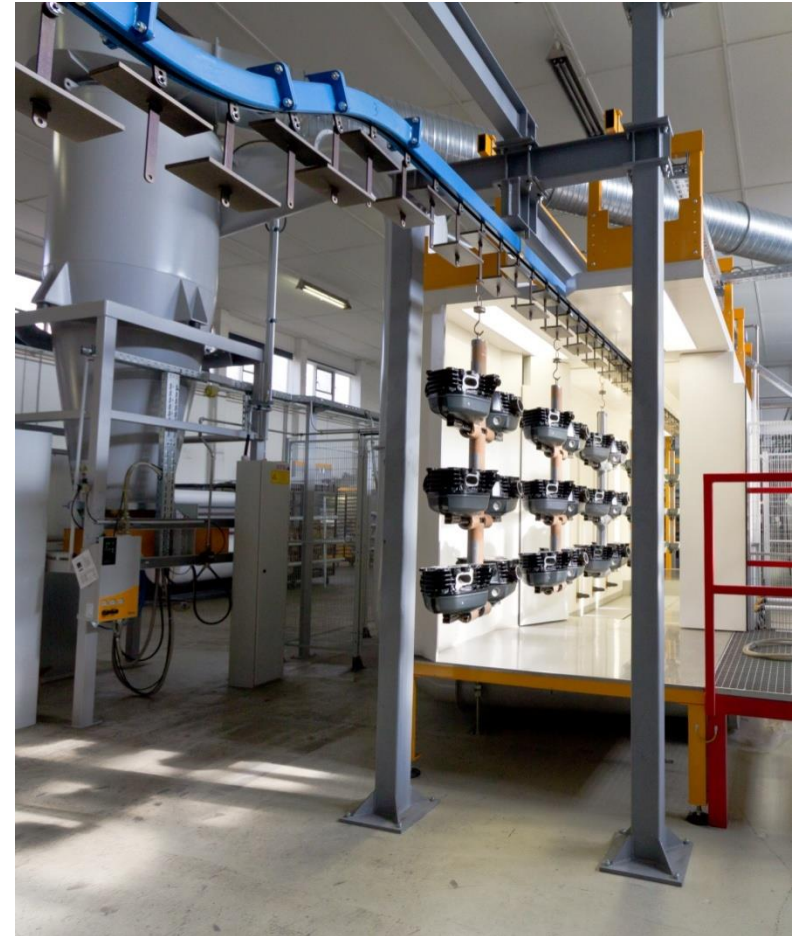
H 1'300 mm
W 500 mm
L 2'000 mm

Conveyor speed:

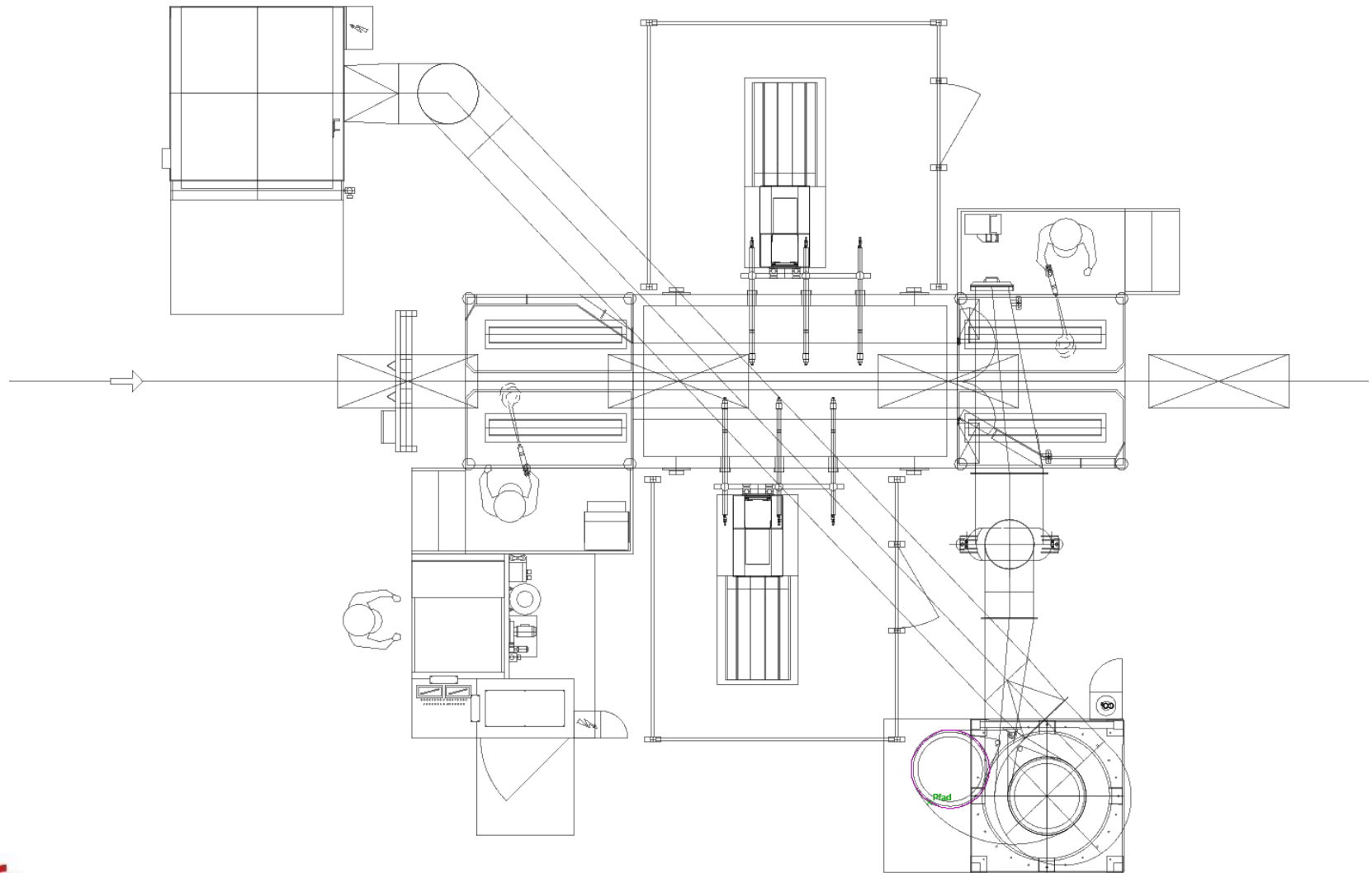
V max. 2 m/min

Scope of delivery:

1 x OptiFlex AS06 / 8 Guns
2 x ZA07-18 / XT10
1 x CM30 Magic Control
1 x MagicCompact EquiFlow BA02
1 x OptiCenter OC02 with US06 Sieve



Application Success Stories



Application Success Stories



For over 20 years, Pulverlackierung Sarnoch GmbH in Berlin has been a good address for high quality powder coating. The family-run business processes small to large series flexibly at an excellent price/performance ratio.

A large order from the automotive industry pushed the company to consider an automation solution. The amounts required could not be met with existing resources and additional specialists were unavailable in the labour market.

The biggest challenge in the coating process is the deep casting ridges on



the engine blocks. A fully automatic coating process was initially unthinkable to the Sarnoch specialists. However, tests at the Gema lab in St. Gallen could convince them of the contrary: OptiGun powder guns impressed with their high penetration and provided perfect results.

In just four months, the new automated system was designed and completed. A big challenge for the engineers was the placement of the coating booth. Due to the previous manual powder coating process, the entire conveyor system was arranged very low and the powder



booth had to be built at a correspondingly deep level. Gema's MagicCompact Compact System BA02 was suitable for this special requirement and fits perfectly in the narrow space.

With the switch from manual to automatic coating powder coating, Sarnoch GmbH has enhanced its competitiveness on the market, achieved new levels of quality, optimised cost accounting and established itself as a reliable partner of the automotive industry.