

# Application Success Stories

## Nanjing Mörsdekor Metal Products Co., Ltd



**Mörsdekor**®  
马斯德克

Improved Product Quality

Higher Transfer Efficiency

Fast Color Changes

# Application Success Stories

## Installation Key Data

**Parts:** Metal doors and ceilings

**Part Size:** Height 2100 mm  
Width 200 mm

**Conveyor Speed:** 3-4 m/min

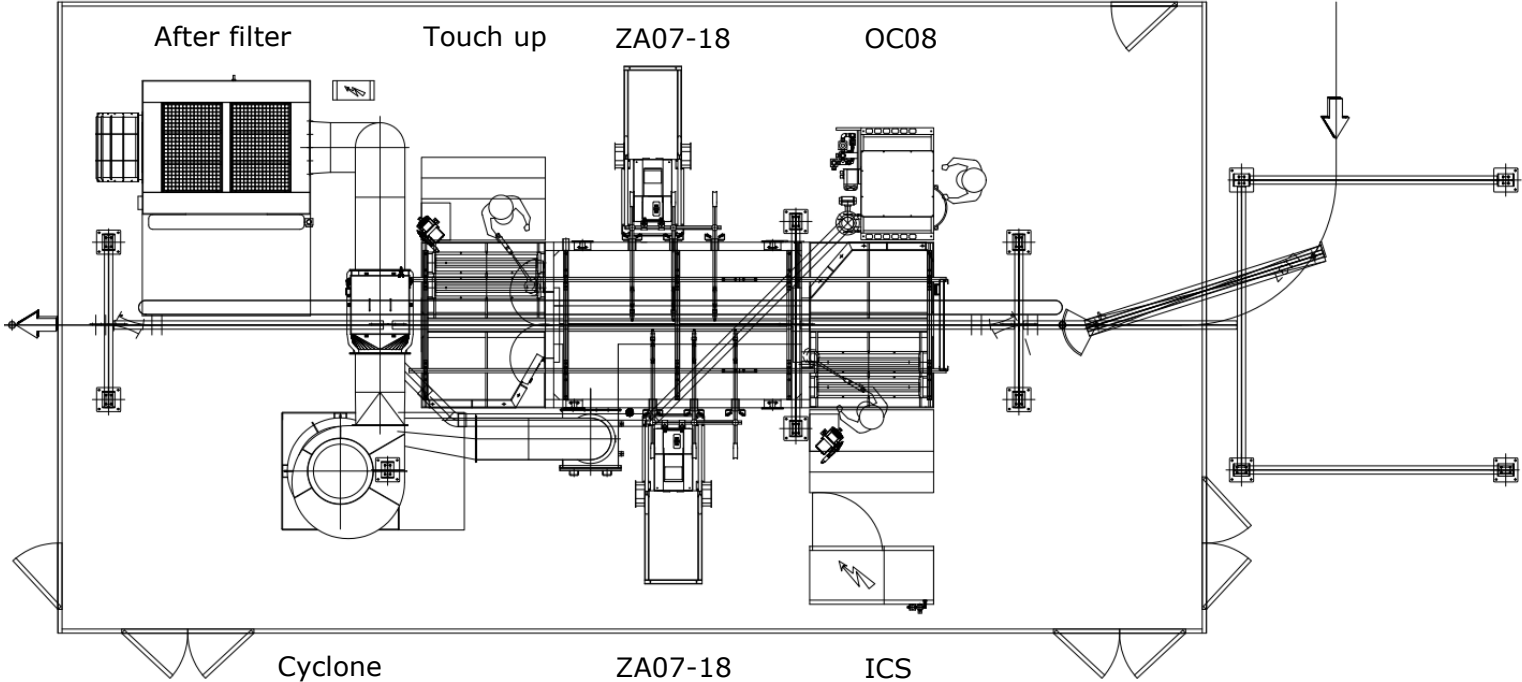
### **Scope of delivery:**

- 1 x OptiCenter® OC08 with OptiFeed 4.0 (PP07)
- 12 x OptiGun® GA03 automatic guns
- 12 x OptiStar® 4.0 gun control units (with CAN BUS)
- 1 x OptiFlex A2 cabinet with 14 x OptiStar controller
- 2 x OptiSelect® Pro (GM04) manual guns
- 1 x MagicControl 4.0 (CM40)
- Light barrier
- 2 x Reciprocators ZA07-18



# Application Success Stories

## Layout



# Application Success Stories



## Company Profile

Mörsdekor aims to become a professional company that can provide high-quality total solutions for medical building environment. Its categories include steel doors, sliding doors, interior doors, fire doors, wall panels, steel room dividers and ceilings, etc. This company currently has powder coating capacity and has ordered another new and complete powder coating line from Gema.

## Company Expectation

Production requirements put pressure on Mörsdekor to improve production performance and expectations of the existing equipment. Reduction of powder consumption and improvement of color change flexibility, which could be satisfactorily achieved by using OptiCenter OC08, were among the key targets for improvements and to justify new equipment.

## Key to Success

Their decision was to purchase a new line delivered from Gema Shanghai, including OptiCenter OC08 powder management center that incorporates IG07-PA and automatic guns GA03 and reciprocators ZA07-18, integrated with CM40 system which offers comprehensive coating line operational management. The results have been extremely successful and the company is already planning its next expansion. The Gema service team in Shanghai as well as the local Gema dealer HerGeng Kunshan supported the company during installation.